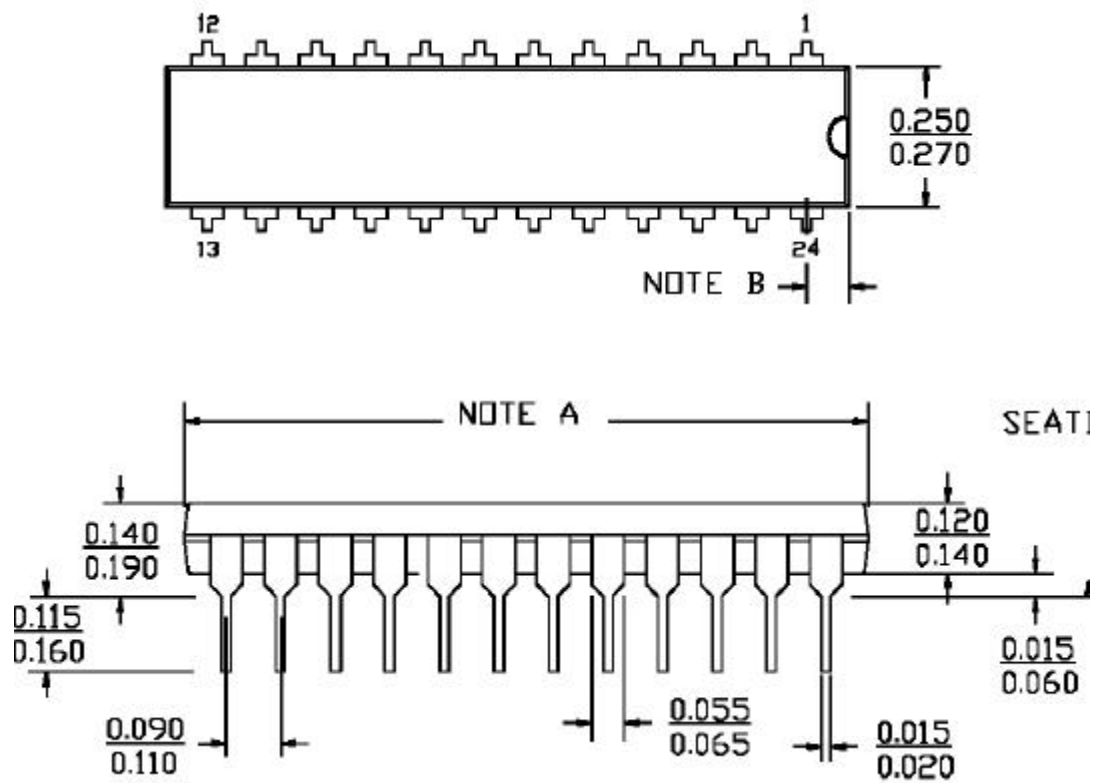
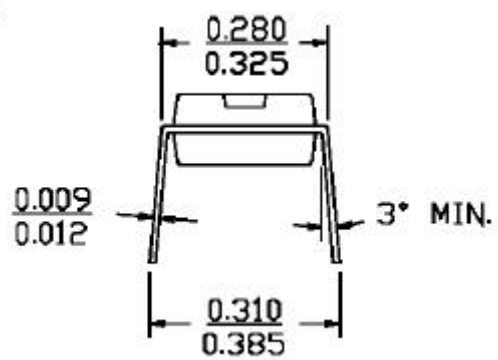


Radovan Robotics Easy Input IC

24-Lead (300-Mil) Molded SOIC :



DIMENSIONS IN INCHES MIN.
MAX.



	P 13	P 13A
NOTE A	<u>1.170</u> 1.200	<u>1.230</u> 1.260
NOTE B	<u>0.030</u> 0.050	<u>0.060</u> 0.080

Radovan Robotics Easy Input IC

24-Lead (300-Mil) Molded DIP